

**Feature**

- 125# WSP / 200# WOG
- Lead free brass body
- Solder x Solder
- Solder ends (ASME B16.22)
- Screw in bonnet
- Non-rising stem
- Solid wedge disc
- AB1953, NSF/ANSI 61 & 372 certified



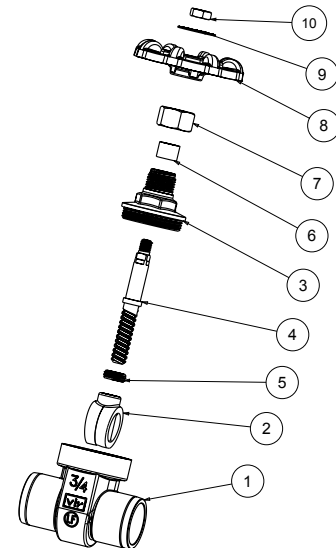
Meet BAA requirement

Pressure/ Temperature rating	
200 psi from 32 °F to 160 °F	125 psi max. at 344 °F



**Material**

	Part	Material	Specification
1	Body	Lead Free Brass	ASTM B927 C28500
2	Wedge	Lead Free Brass	ASTM B927 C28500
3	Bonnet	Lead Free Brass	ASTM B927 C28500
4	Stem	Lead Free Brass	ASTM B927 C28500
5	Ring	Lead Free Brass	ASTM B927 C28500
6	Packing ring	Graphite	WRAS approved
7	Packing nut	Brass	ASTM B124 C37700
8	Handwheel	Aluminum	B85
9	Disk	Aluminum	B85
10	Nut	Steel / Zc plated	A36



**Dimension, Cv, Weight**

Size	∅	A [in]	C [in]	H [in]	L [in]	P [in]	Cv	Wt. [lb]
1/2"	0.627-0.631	1.85	0.50	2.79	2.36	0.51	10.8	0.44
3/4"	0.877-0.881	2.44	0.75	3.17	2.36	0.74	23	0.74
1"	1.128-1.131	2.83	0.91	3.93	2.75	1.00	42	1.08
1 1/4"	1.378-1.381	3.07	0.97	4.21	3.15	1.25	72	1.60
1 1/2"	1.628-1.632	3.38	1.09	4.82	3.15	1.50	120	2.24
2"	2.128-2.132	4.01	1.34	6.27	3.75	2.00	210	4.18

